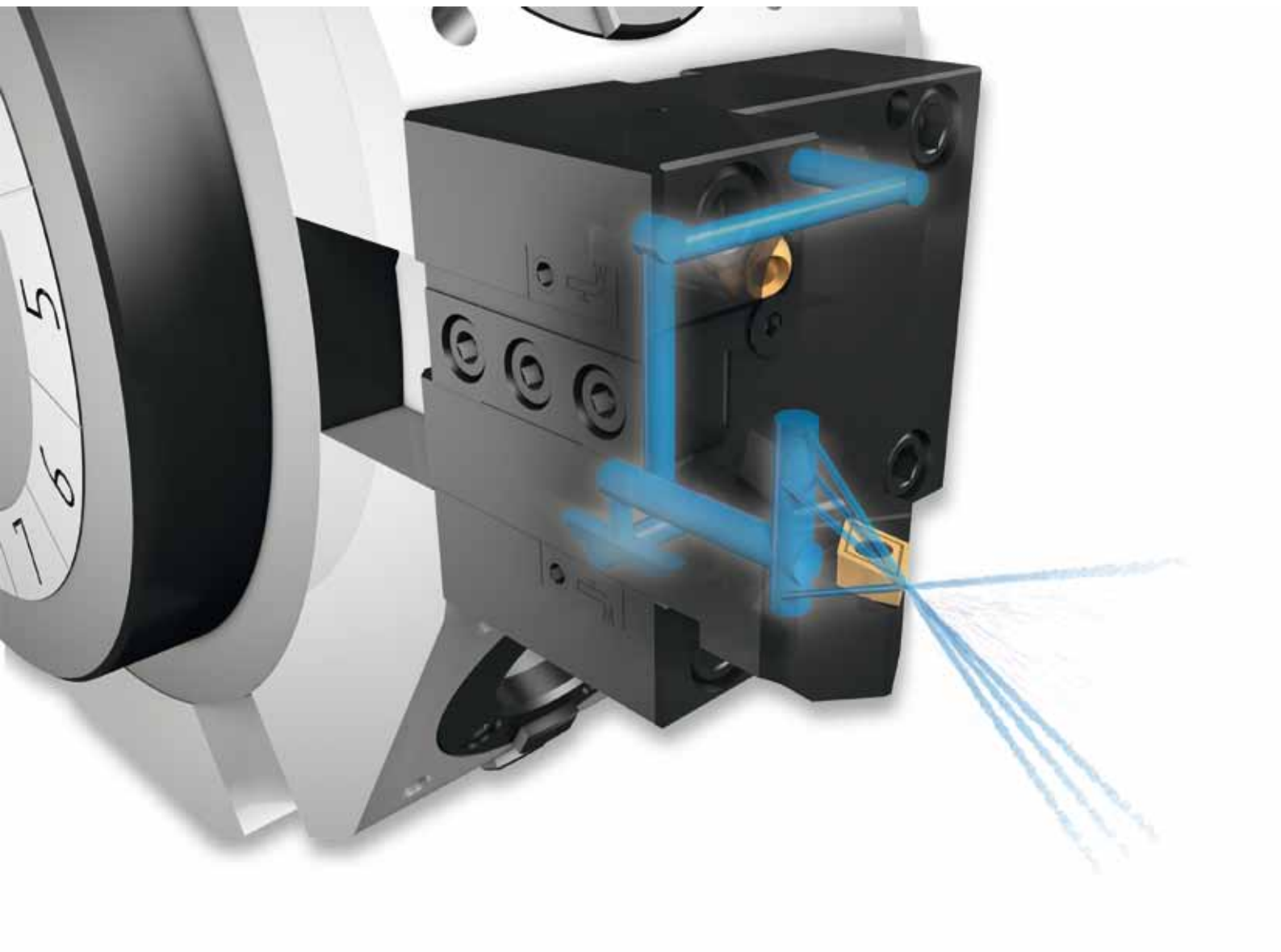


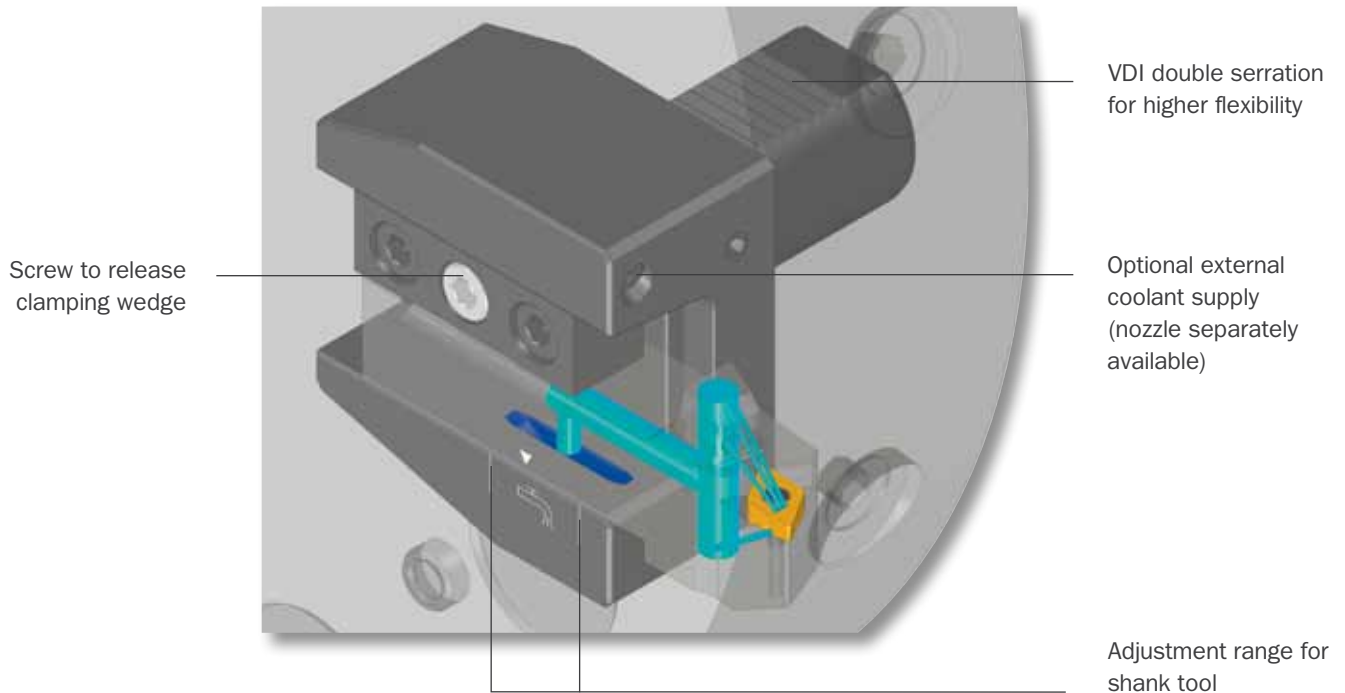
Shank Toolholder

with high pressure internal coolant supply
for longer tool life and higher productivity.

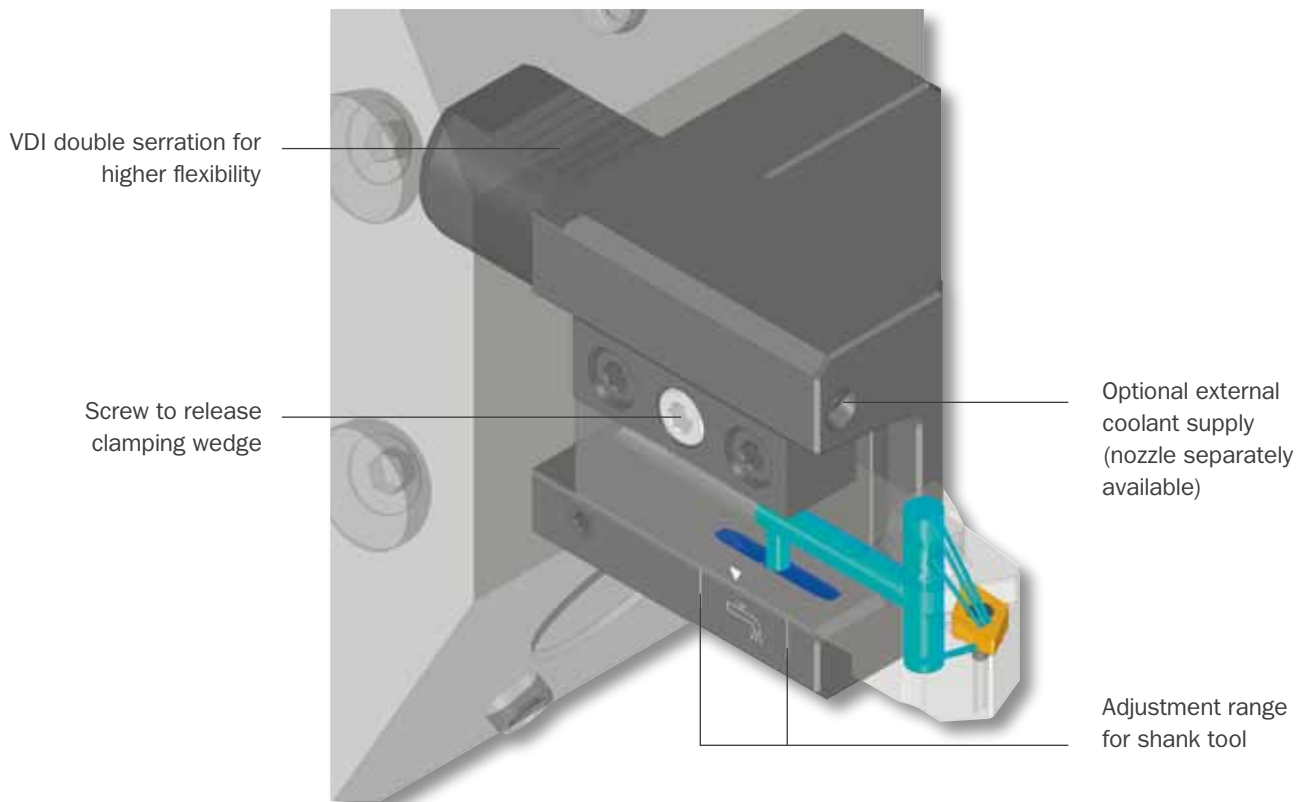


Shank Toolholder with high pressure

For VDI face tooling turret



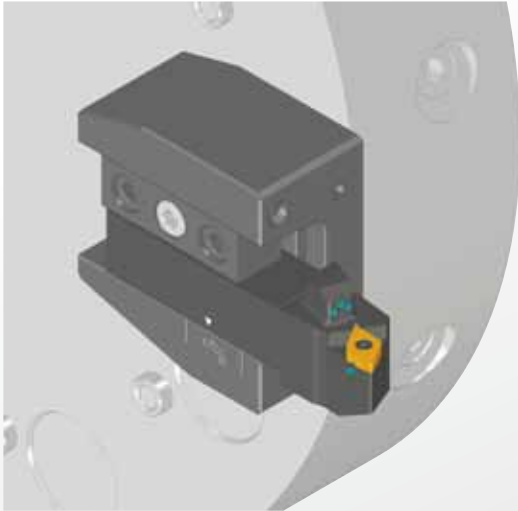
For VDI radial tooling turret



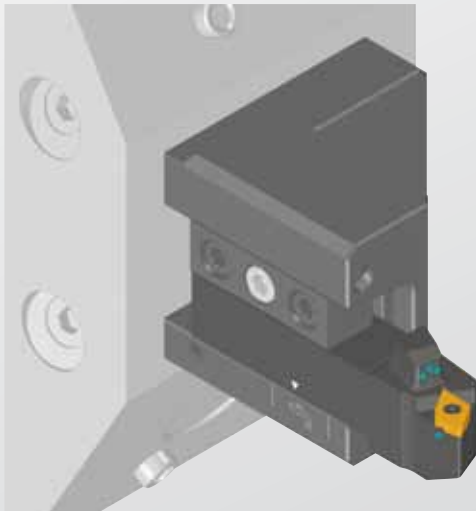
internal coolant supply

Examples for different types

VDI

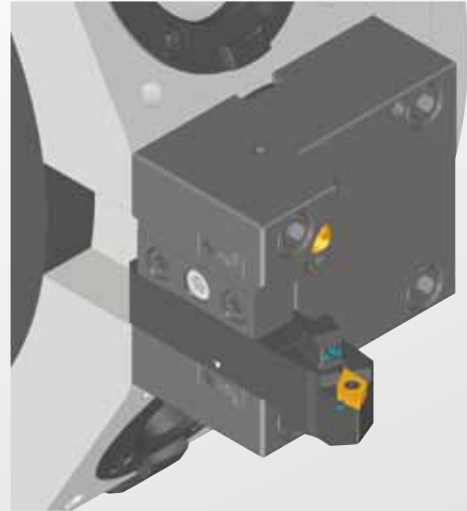


OD cutting holder for VDI face tooling turret

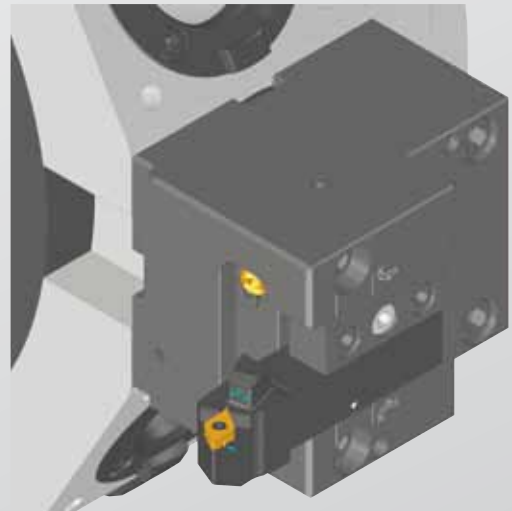


OD cutting holder for VDI radial tooling turret

Bolt-On



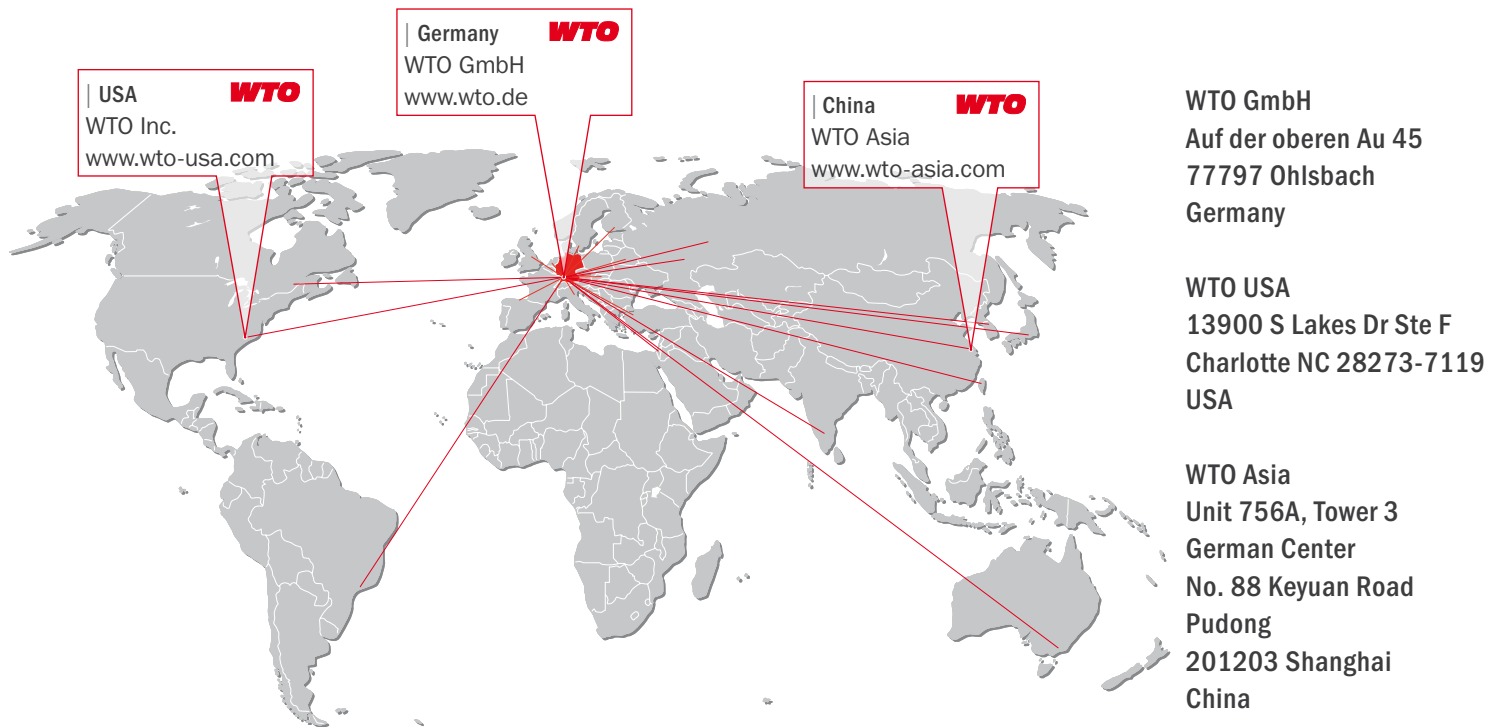
OD cutting holder



Face cutting holder

WTO worldwide

WTO
Higher Productivity



Our distribution partners. Competence right there.

| **Australia**
Dimac Tooling Ltd.
sales@dimac.com.au

| **Finland**
Suomen Terästuonti Oy
myynti@stt.as

| **Japan**
NK Works Co. Ltd.
k_samba@nk-works.co.jp

| **Spain**
ITALMATIC, S.A.
italmatic@italmatic.es

| **Belarus**
JSC "PMI GROUP"
tool@pmi.by

| **France**
Société Jung
info@r-jung.com

| **Korea**
WTO Korea Office
is.chon@wto-korea.com

| **Sweden**
Komet Scandinavia AB
scandinavia@kometgroup.com

| **Brazil**
TF2
tfdois@tfdois.com.br

| **France**
Utilis France Sàrl
contact@utilis.com

| **Netherlands**
Klein Tooling B.V.
mail@kleintooling.nl

| **Switzerland**
Utilis AG
info@utilis.com

| **Canada**
Mittmann Industrial Inc.
info@mittmann.com

| **Great Britain**
Cutwel Ltd.
sales@cutwel.net

| **Norway**
Helge Karlsen Verktøy og Maskin AS
hkvm@hkvm.no

| **Taiwan**
KAIKO Enterprise Co. Ltd.
info@kaiko.com.tw

| **China**
Shanghai Gangde
m.wang@wto-asia.com

| **India**
A.H. Rao
ahr.rao@gmail.com

| **Russia**
Haltec Ltd.
info@haltec.ru

| **Turkey**
MYK CNC MAKINA SAN. VE
mehmet.karaman@mykcnc.com.tr

| **Czech Republic**
ALBA precision, spol. s.r.o.
info@albaprecision.cz

| **Israel**
E.Y.A.R. Ltd.
yehoshua@eyar.co.il

| **Russia**
OTS-Technology Ltd.
sales@otst.ru

| **Ukraine**
„LLC“ SPA Stankopromimport
info@phoenix-ua.com

| **Denmark**
Tool-part
cj@tool-part.dk

| **Italy**
Prymark srl
commerciale@prymark.it

| **Slovakia**
ALBA precision s.r.o.
albaprecision@albaprecision.sk